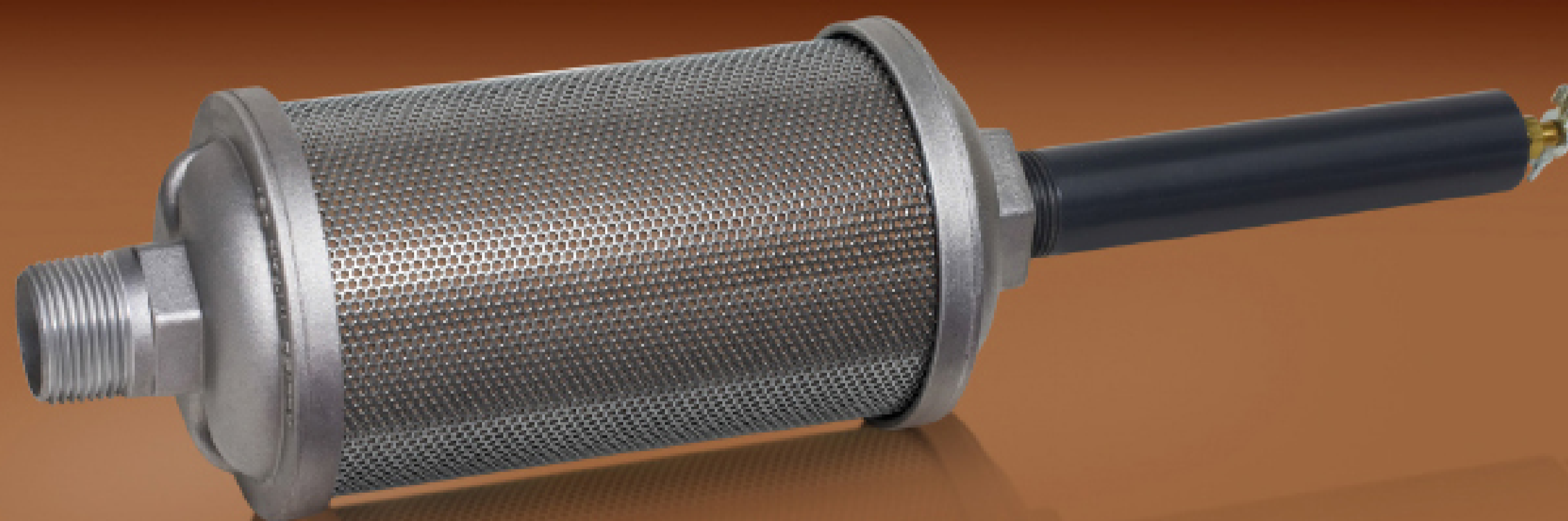
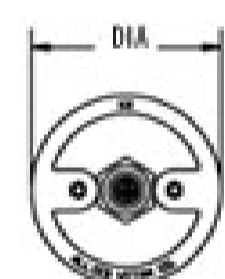
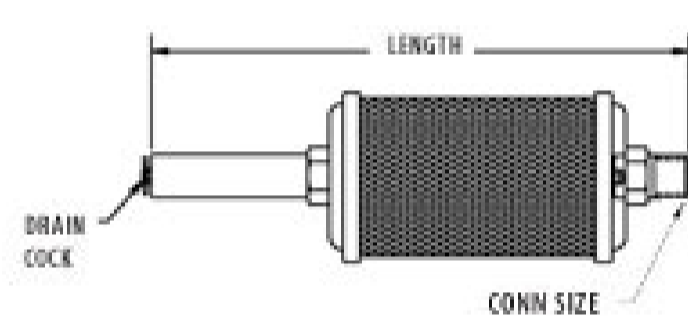


DEFOGGER MUFFLERS



DEFOGGER MUFFLERS

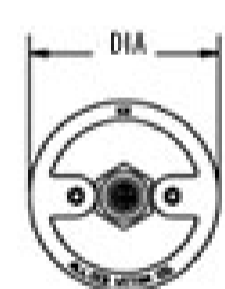
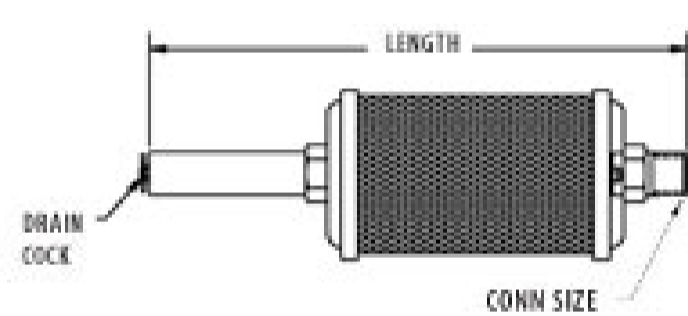
Single Chamber-Male
1/8"- 2"



UNIQUE SUMP COLLECTS AND THEN DRAINS OUT OIL MIST

- Reduces pneumatic noise emanating from air-operated devices and effectively removes oil mist
- Uses a comprehensive approach to intercept, extract and condense oil to liquid droplets, which gravitate into a sump to be manually drained as needed
- Design requires mounting with the drain cock pointing downwards, which can then be opened periodically to empty out the sump
- Recommended for pressures up to 125 psi (8.6 Bar)

Single Chamber-Male
1/8"- 2"



Single Chamber-Male

Conn Size	Model Type	Male NPT	Dimensions		Replacement Element
		Item Number	Diameter	Length	
1/8	L01	0313001	1.84	6.40	0941001
1/4	L02	0313002	1.84	7.60	0941002
3/8	L00	0313000	2.59	8.75	0941000
1/2	L05	0313005	3.15	10.60	0941005
3/4	L07	0313007	3.40	14.25	0941007
1	L10	0313010	3.90	15.50	0941010
1-1/4	L12	0313012	3.90	15.50	0941012
1-1/2	L15	0313015	5.25	20.40	0941015
2	L20	0313020	5.25	25.30	0941020